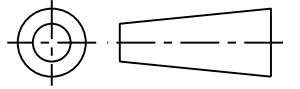


DO NOT SCALE

DIMENSIONS IN mm

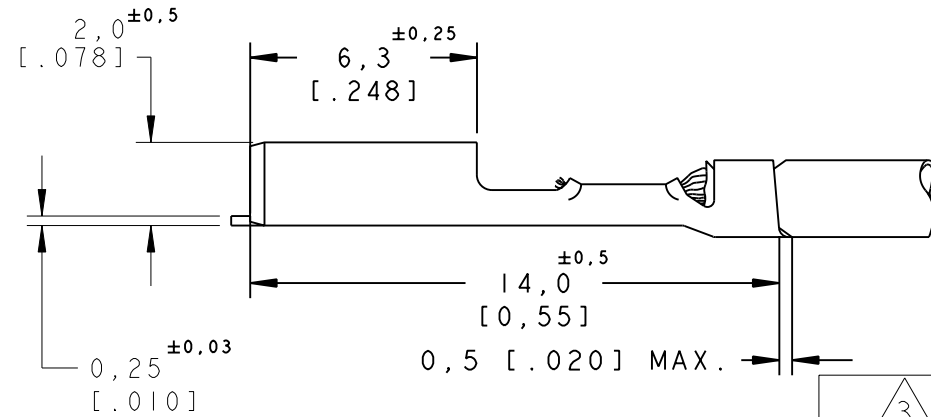
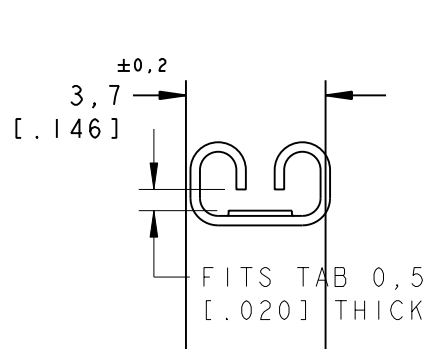
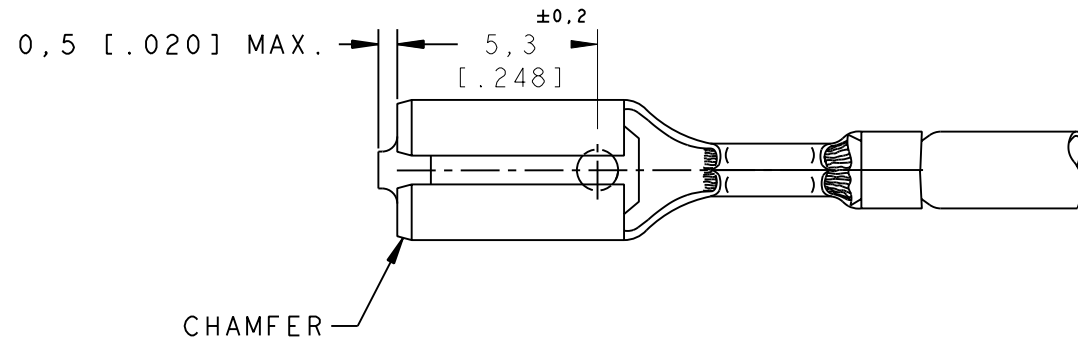
METRIC

THIRD ANGLE
PROJECTION



NOTES:

- 1 SPLICE FREE FOR AMP_O_MATOR.
- 2 REELED WITH PAPER LAYER.
- 3 OBSOLETE PARTS: OBSOLETE CIS STREAMLINING PER D.RENAUD/D.SINISI



3 OBSOLETE

3 OBSOLETE

3 OBSOLETE

WIRE RANGE :
0,3-0,56 mm
INSULATION RANGE :
1,0-2,0 DIA.

FINISH	MATERIAL	PARTNUMBER
TIN	BRASS	6-160316-4
TIN-LEAD	PHOSPHORBRONZE	6-160316-3
TIN-LEAD	BRASS	6-160316-2
PRE-TIN HOT DIP	PHOSPHORBRONZE	6-160316-0
TIN	BRASS	5-160316-9
NONE	BRASS	5-160316-8
GOLD	PHOSPHORBRONZE	5-160316-7
TIN	PHOSPHORBRONZE	5-160316-6
NONE	PHOSPHORBRONZE	5-160316-5
GOLD	BRASS	5-160316-4
SILVER	BRASS	5-160316-3
TIN	BRASS	5-160316-2
NONE	BRASS	5-160316-1

CUSTOMER DRAWING FOR REFERENCE ONLY WILL NOT BE UPDATED					
© COPYRIGHT 19- BY AMP HOLLAND B.V. ALL INTERNATIONAL RIGHTS RESERVED. AMP PRODUCTS MAY BE COVERED BY U.S. AND FOREIGN AND/OR PATENTS PENDING.					
THIS DRAWING IS UNPUBLISHED RELEASED FOR PUBLICATION , 19					
F2	REVISED PER ECO-09-025699	KK	AEG	16DEC09	
F1	ET00-0045-02	HY	CT	07 MAR 02	
F	EH-0243-94	DK	PB	11-04-94	
LTR.	REVISION RECORD	DR.	CHK.	DATE	
DR.:	D.KESSLER	CHK.:	P.BEIJNON	APP.:	L.V.SOEST
DATE:	11-04-94	DATE:	-	DATE:	-
DWG. No. C-160316		SHEET 1 OF 1		REV. LTR. F2	